

# NCP348, NCP348AE

## Positive Overvoltage Protection Controller with Internal Low $R_{ON}$ NMOS FET and Status $\overline{FLAG}$

The NCP348 is able to disconnect the systems from its output pin in case wrong input operating conditions are detected. The system is positive overvoltage protected up to +28 V.

Due to this device using internal NMOS, no external device is necessary, reducing the system cost and the PCB area of the application board.

The NCP348 is able to instantaneously disconnect the output from the input, due to integrated Low  $R_{ON}$  Power NMOS (65 m $\Omega$ ), if the input voltage exceeds the overvoltage threshold (OVLO) or undervoltage threshold (UVLO).

At powerup ( $\overline{EN}$  pin = low level), the  $V_{out}$  turns on 50 ms after the  $V_{in}$  exceeds the undervoltage threshold.

The NCP348 provides a negative going flag ( $\overline{FLAG}$ ) output, which alerts the system that a fault has occurred.

In addition, the device has ESD-protected input (15 kV Air) when bypassed with a 1.0  $\mu$ F or larger capacitor.

### Features

- Overvoltage Protection up to 28 V
- On-Chip Low  $R_{DS(on)}$  NMOS Transistor: 65 m $\Omega$
- Internal Charge Pump
- Overvoltage Lockout (OVLO)
- Undervoltage Lockout (UVLO)
- Internal 50 ms Startup Delay
- Alert  $\overline{FLAG}$  Output
- Shutdown  $\overline{EN}$  Input
- Compliance to IEC61000-4-2 (Level 4)  
8.0 kV (Contact)  
15 kV (Air)
- ESD Ratings: Machine Model = B  
Human Body Model = 3
- 10 Lead WDFN 2.5x2 mm Package
- This is a Pb-Free Device

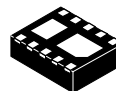
### Applications

- Cell Phones
- Camera Phones
- Digital Still Cameras
- Personal Digital Applications
- MP3 Players



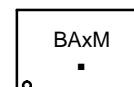
ON Semiconductor®

<http://onsemi.com>



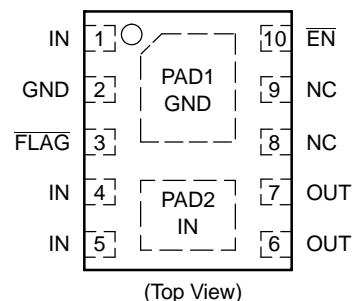
WDFN10  
MT SUFFIX  
CASE 516AA

### MARKING DIAGRAM



BAI = NCP348  
BAJ = NCP348AE  
M = Date Code  
▪ = Pb-Free Package

### PIN CONNECTIONS



### ORDERING INFORMATION

See detailed ordering and shipping information in the package dimensions section on page 12 of this data sheet.

# NCP348, NCP348AE

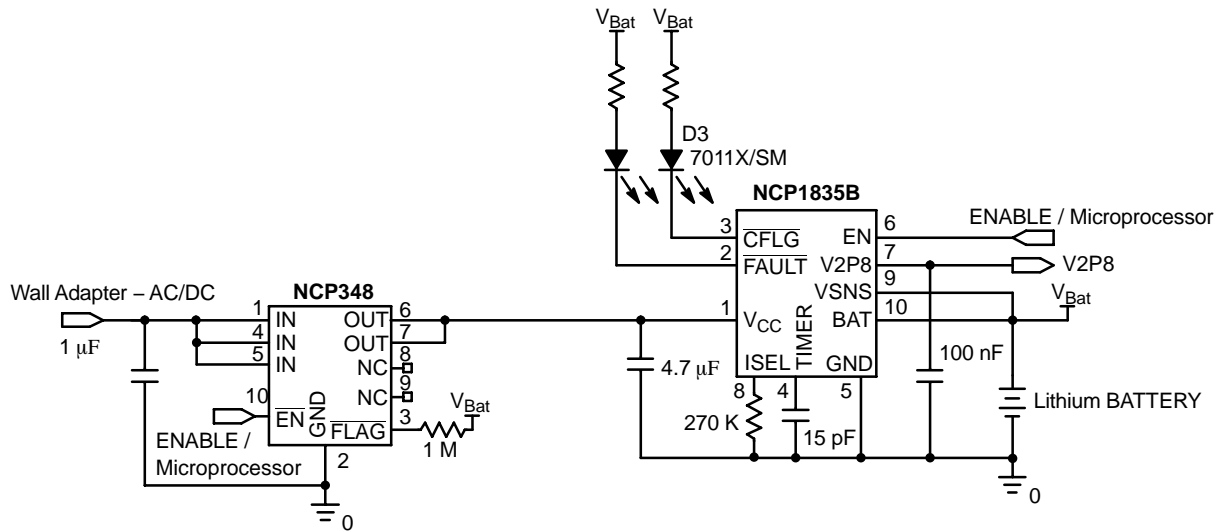


Figure 1. Typical Application Circuit

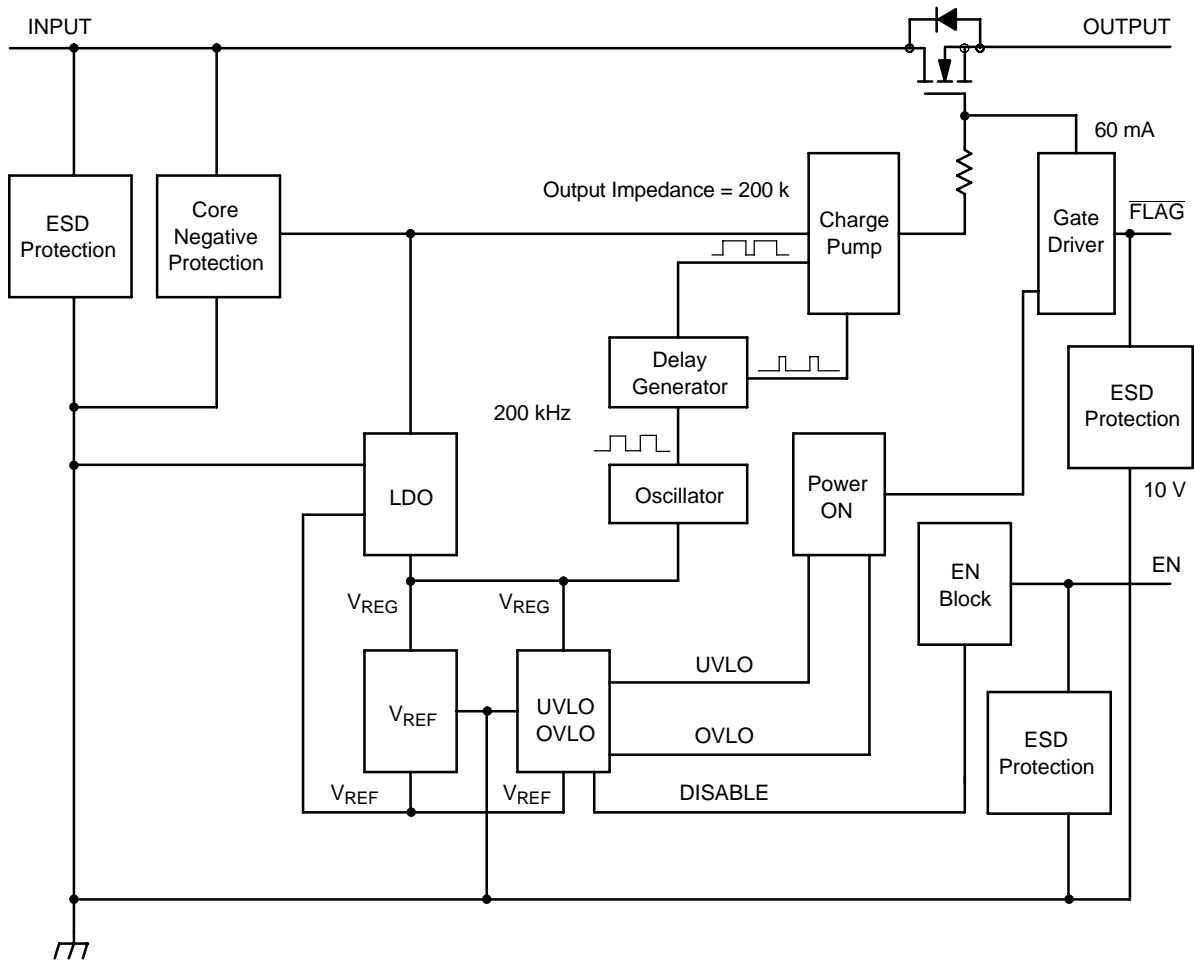


Figure 2. Functional Block Diagram

# NCP348, NCP348AE

## PIN FUNCTION DESCRIPTION

| Pin No.     | Symbol                   | Function | Description  |
|-------------|--------------------------|----------|--|
| 1<br>4<br>5 | IN                       | POWER    | Input Voltage Pin.<br>This pin is connected to the power supply.<br>The device system core is supplied by this input.<br>A 1 $\mu$ F low ESR ceramic capacitor, or larger, must be connected between this pin and GND.<br>The three IN pins must be hardwired to common supply.  |
| 2           | GND                      | POWER    | Ground   |
| 3           | $\overline{\text{FLAG}}$ | OUTPUT   | Fault Indication Pin.<br>This pin allows an external system to detect a fault on IN pin.<br>The $\overline{\text{FLAG}}$ pin goes low when input voltage exceeds OVLO threshold or drop below UVLO threshold.<br>Since the $\overline{\text{FLAG}}$ pin is open drain functionality, an external pull up resistor to $V_{CC}$ must be added. |
| 6<br>7      | OUT                      | OUTPUT   | Output Voltage Pin.<br>This pin follows IN pin when “no fault” is detected.<br>The output is disconnected from the $V_{in}$ power supply when the input voltage is under the UVLO threshold or above OVLO threshold.<br>The two OUT pins must be hardwired to common supply.   |
| 8           | NC                       | OPEN     | No Connect   |
| 9           | NC                       | OPEN     | No Connect   |
| 10          | $\overline{\text{EN}}$   | INPUT    | Enable Pin.<br>The device enters in shutdown mode when this pin is tied to a high level. In this case the output is disconnected from the input.<br>To allow normal functionality, the $\overline{\text{EN}}$ pin shall be connected to GND to a pull down or to a I/O pin.<br>This pin does not have an impact on the fault detection.      |
| PAD1        |                          |          | PAD1, under the device. See PCB recommendations page 10.<br>Can be shorted to GND.   |
| PAD2        |                          |          | The PAD2 is electrically connected to the internal NMOS drain and connected to Pins 4 and 5.<br>See PCB recommendations page 10.   |

## MAXIMUM RATINGS

| Rating   | Symbol          | Value                              | Unit                        |
|--|-----------------|------------------------------------|-----------------------------|
| Minimum Voltage (IN to GND)  | $V_{min_{in}}$  | -0.3                               | V                           |
| Minimum Voltage (All others to GND)  | $V_{min}$       | -0.3                               | V                           |
| Maximum Voltage (IN to GND)  | $V_{max_{in}}$  | 30                                 | V                           |
| Maximum Voltage (All others to GND)  | $V_{max}$       | 7.0                                | V                           |
| Maximum Current (UVLO < $V_{IN}$ < OVLO)   | $I_{max}$       | 2.0                                | A                           |
| Thermal Resistance, Junction-to-Air (Note 1)   | $R_{\theta JA}$ | 280                                | $^{\circ}\text{C}/\text{W}$ |
| Operating Ambient Temperature Range  | $T_A$           | -40 to +85                         | $^{\circ}\text{C}$          |
| Storage Temperature Range  | $T_{stg}$       | -65 to +150                        | $^{\circ}\text{C}$          |
| Junction Operating Temperature   | $T_J$           | 150                                | $^{\circ}\text{C}$          |
| ESD Withstand Voltage (IEC 61000-4-2) (input only) when bypassed with 1.0 $\mu$ F capacitor<br>Human Body Model (HBM), Model = 2 (Note 2)<br>Machine Model (MM) Model = B (Note 3) | $V_{esd}$       | 15 Air, 8.0 Contact<br>2000<br>200 | kV<br>V<br>V                |
| Moisture Sensitivity   | MSL             | Level 1                            | -                           |

Stresses exceeding Maximum Ratings may damage the device. Maximum Ratings are stress ratings only. Functional operation above the Recommended Operating Conditions is not implied. Extended exposure to stresses above the Recommended Operating Conditions may affect device reliability.

- The  $R_{\theta JA}$  is highly dependent on the PCB heat sink area (connected to pad 2). As example  $R_{\theta JA}$  is 268  $^{\circ}\text{C}/\text{W}$  with 30  $\text{mm}^2$  (copper 35  $\mu\text{m}$ ) and 189  $^{\circ}\text{C}/\text{W}$  with 400  $\text{mm}^2$ .
- Human Body Model, 100 pF discharged through a 1.5 k $\Omega$  resistor following specification JESD22/A114.
- Machine Model, 200 pF discharged through all pins following specification JESD22/A115.

## NCP348, NCP348AE

**ELECTRICAL CHARACTERISTICS** (Min/Max limits values ( $-40^{\circ}\text{C} < T_A < +85^{\circ}\text{C}$ ) and  $V_{in} = +5.0\text{ V}$ . Typical values are  $T_A = +25^{\circ}\text{C}$ , unless otherwise noted.)

| Characteristic   | Symbol                   | Conditions   | Min        | Typ         | Max        | Unit             |
|--|--------------------------|--|------------|-------------|------------|------------------|
| Input Voltage Range  | $V_{in}$                 | –  | 1.2        | –           | 28         | V                |
| Undervoltage Lockout Threshold (Note 4)                            | UVLO                     | –  | 3.0        | 3.25        | 3.5        | V                |
| Undervoltage Lockout Hysteresis                                    | UVLO <sub>hyst</sub>     | –  | 20         | 50          | 100        | mV               |
| Overvoltage Lockout Threshold (Note 4)<br>NCP348MTT<br>NCP348AEMTT | OVLO                     | $V_{in}$ rises up OVLO threshold   | 6.0<br>5.7 | 6.4<br>6.02 | 6.8<br>6.4 | V                |
| Overvoltage Lockout Hysteresis<br>NCP348MTT<br>NCP348AEMTT         | OVLO <sub>hyst</sub>     | –  | 50<br>30   | 100<br>60   | 150<br>90  | mV               |
| $V_{in}$ versus $V_{out}$ Resistance                               | $R_{DS(on)}$             | $V_{in} = 5.0\text{ V}$ , $\overline{EN} = \text{GND}$ ,<br>Load connected to $V_{out}$  | –          | 65          | 120        | $\text{m}\Omega$ |
| Supply Quiescent Current   | I <sub>dd</sub>          | No load. $\overline{EN} = 5.0\text{ V}$  | –          | 90          | 150        | $\mu\text{A}$    |
|  |                          | No load. $\overline{EN} = \text{Gnd}$  | –          | 170         | 250        | $\mu\text{A}$    |
| UVLO Supply Current  | I <sub>dd,uvlo</sub>     | $V_{IN} = 2.9\text{ V}$  | –          | 70          | 100        | $\mu\text{A}$    |
| $\overline{FLAG}$ Output Low Voltage                               | V <sub>ol,flag</sub>     | $1.2\text{ V} < V_{IN} < \text{UVLO}$<br>Sink $50\ \mu\text{A}$ on $\overline{FLAG}$ pin | –          | 20          | 400        | mV               |
|  |                          | $V_{IN} > \text{OVLO}$<br>Sink $1.0\text{ mA}$ on $\overline{FLAG}$ pin                  | –          | –           | 400        | mV               |
| $\overline{FLAG}$ Leakage Current                                  | $\overline{FLAG}_{leak}$ | $\overline{FLAG}$ level = $5.0\text{ V}$   | –          | 1.0         | –          | nA               |
| $\overline{EN}$ Voltage High                                       | V <sub>ih</sub>          | –  | 1.2        | –           | –          | V                |
| $\overline{EN}$ Voltage Low  | V <sub>ol</sub>          | –  | –          | –           | 0.4        | V                |
| $\overline{EN}$ Leakage Current                                    | $\overline{EN}_{leak}$   | $\overline{EN} = 5.0\text{ V}$ or GND  | –          | 1.0         | –          | nA               |

### TIMINGS

|                                  |                    |  |    |     |     |               |
|----------------------------------|--------------------|--|----|-----|-----|---------------|
| Startup Delay                    | ton                | From $V_{in} > \text{UVLO}$ to $V_{out} = 0.3\text{ V}$ (See Figures 3 & 7)  | 30 | 55  | 70  | ms            |
| $\overline{FLAG}$ Going Up Delay | t <sub>start</sub> | From $V_{out} = 0.3\text{ V}$ to $\overline{FLAG} = 1.2\text{ V}$ (See Figures 3 & 9)  | 30 | 50  | 70  | ms            |
| Output Turn Off Time             | toff               | From $V_{in} > \text{OVLO}$ to $V_{out} \leq 0.3\text{ V}$ (See Figures 4 & 8)<br>$V_{in}$ increasing from $5.0\text{ V}$ to $8.0\text{ V}$ at $3.0\text{ V}/\mu\text{s}$<br>Rload connected on $V_{out}$          | –  | 1.5 | 5.0 | $\mu\text{s}$ |
| Alert Delay                      | t <sub>stop</sub>  | From $V_{in} > \text{OVLO}$ to $\overline{FLAG} \leq 0.4\text{ V}$ (See Figures 4 & 10)<br>$V_{in}$ increasing from $5.0\text{ V}$ to $8.0\text{ V}$ at $3.0\text{ V}/\mu\text{s}$<br>Rload connected on $V_{out}$ | –  | 1.0 | –   | $\mu\text{s}$ |
| Disable Time                     | tdis               | From $\overline{EN} \geq 1.2\text{ V}$ to $V_{out} < 0.3\text{ V}$<br>Rload = $5.0\ \Omega$<br>(See Figures 5 & 12)  | –  | 1.0 | 5.0 | $\mu\text{s}$ |

NOTE: Electrical parameters are guaranteed by correlation across the full range of temperature.

4. Additional UVLO and OVLO thresholds ranging from UVLO and from OVLO can be manufactured. Contact your ON Semiconductor representative for availability.

# NCP348, NCP348AE

## TIMING DIAGRAMS

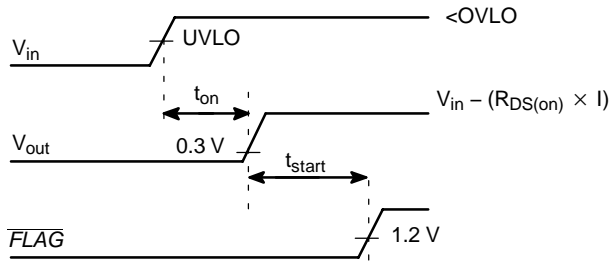


Figure 3. Startup

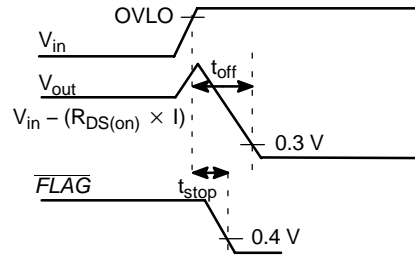


Figure 4. Shutdown on Overvoltage Detection

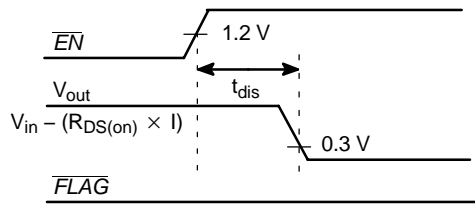


Figure 5. Disable on  $\overline{EN} = 1$

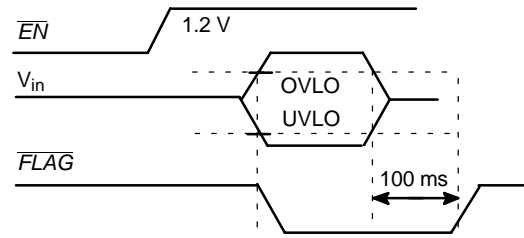
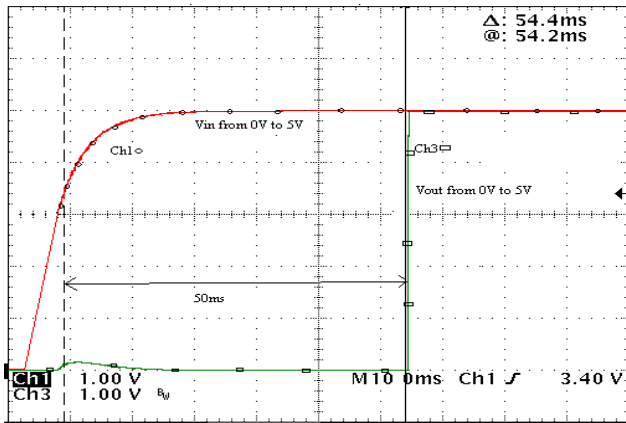


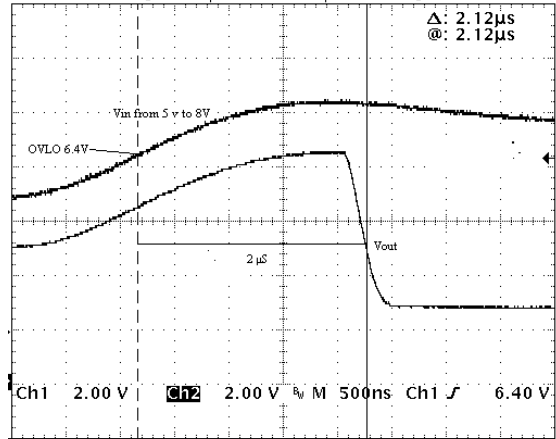
Figure 6.  $\overline{FLAG}$  Response with  $\overline{EN} = 1$

# NCP348, NCP348AE

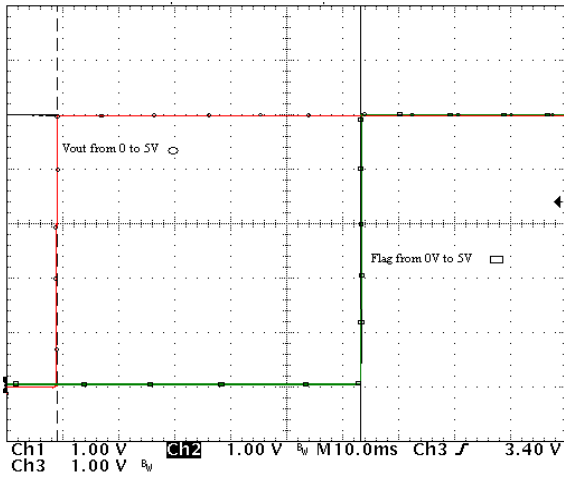
## TYPICAL OPERATING CHARACTERISTICS



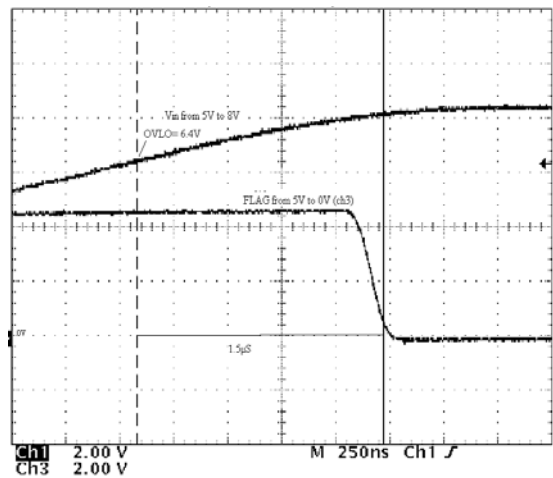
**Figure 7. Startup**  
 $V_{in} = \text{Ch1}, V_{out} = \text{Ch3}$



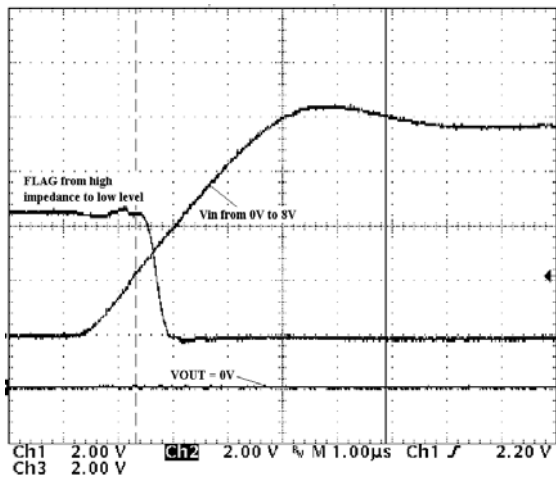
**Figure 8. Output Turn Off Time**  
 $V_{in} = \text{Ch1}, V_{out} = \text{Ch2}$



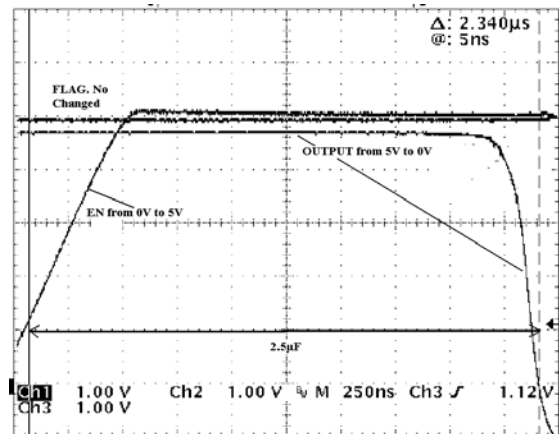
**Figure 9. FLAG Going Up Delay**  
 $V_{out} = \text{Ch3}, \text{FLAG} = \text{Ch2}$



**Figure 10. Alert Delay**  
 $V_{out} = \text{Ch1}, \text{FLAG} = \text{Ch3}$



**Figure 11. Initial Overvoltage Delay**  
 $V_{in} = \text{Ch1}, V_{out} = \text{Ch2}, \text{FLAG} = \text{Ch3}$



**Figure 12. Disable Time**  
 $\text{EN} = \text{Ch1}, V_{out} = \text{Ch2}, \text{FLAG} = \text{Ch3}$

# NCP348, NCP348AE

## TYPICAL OPERATING CHARACTERISTICS

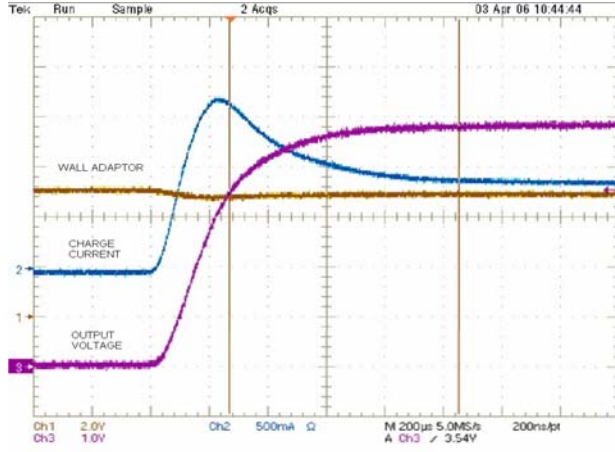


Figure 13. Inrush Current with  $C_{out} = 100 \mu F$ ,  $I_{charge} = 1 A$ , Output Wall Adaptor Inductance  $1 \mu H$

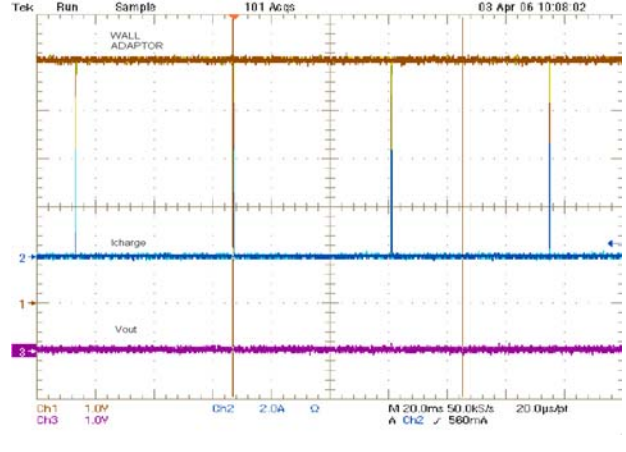


Figure 14. Output Short Circuit

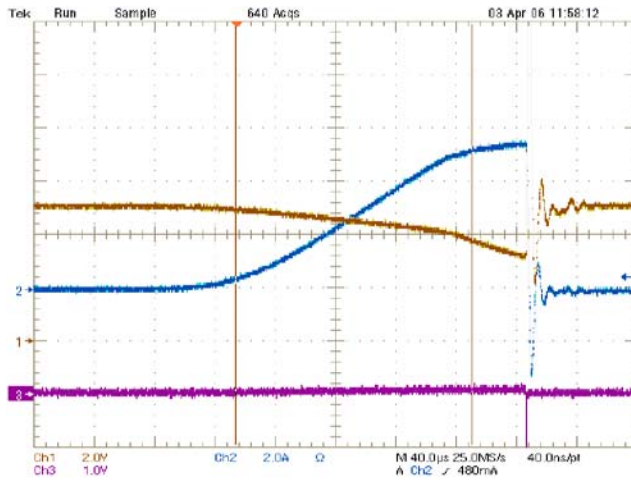


Figure 15. Output Short Circuit (Zoom Fig. 14)

## NCP348, NCP348AE

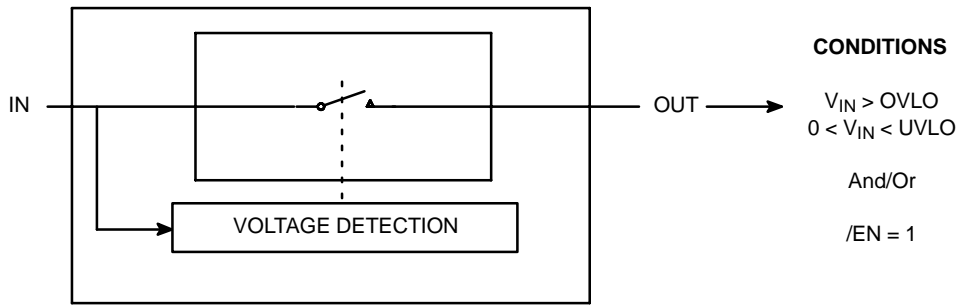


Figure 16. Simplified Diagram

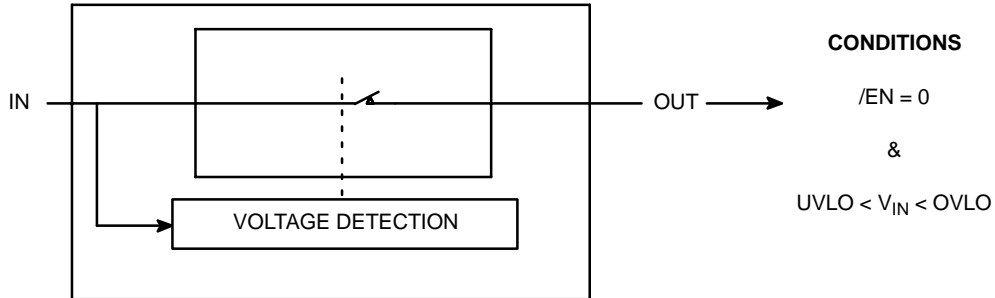


Figure 17. Simplified Diagram

### Operation

The NCP348 provides overvoltage protection for positive voltage, up to 28 V. A Low  $R_{DS(on)}$  NMOS FET protects the systems (i.e.: charger) connected on the  $V_{out}$  pin, against positive overvoltage. At powerup, with  $\overline{EN}$  pin = low, the output is rising up 50 ms after the input

overtaking undervoltage UVLO (Figure 3). The NCP348 provides a  $\overline{FLAG}$  output, which alerts the system that a fault has occurred. A 50 ms additional delay, regarding available output (Figure 3) is added between output signal rising up and to  $\overline{FLAG}$  signal rising up.  $\overline{FLAG}$  pin is an open drain output.





## Undervoltage Lockout (UVLO)

To ensure proper operation under any conditions, the device has a built-in undervoltage lockout (UVLO) circuit. During  $V_{in}$  positive going slope, the output remains disconnected from input until  $V_{in}$  voltage is below 3.25 V (NCP348MTT version), plus hysteresis, nominal. The  $\overline{FLAG}$  output is tied to low as long as  $V_{in}$  does not reach UVLO threshold. This circuit has a 50 mV hysteresis to provide noise immunity to transient condition. Additional UVLO thresholds ranging from UVLO can be manufactured. (See Selection Guide on page 12) Contact your ON Semiconductor representative for availability.

## Overvoltage Lockout (OVLO)

To protect connected systems on  $V_{out}$  pin from overvoltage, the device has a built-in overvoltage lockout (OVLO) circuit. During overvoltage condition, the output remains disabled as long as the input voltage exceeds 6.4 V typical (NCP348MTT version). Additional OVLO thresholds ranging from OVLO can be manufactured. (See Selection Guide on page 12) Contact your ON Semiconductor representative for availability.

$\overline{FLAG}$  output is tied to low until  $V_{in}$  is higher than OVLO. This circuit has a 100 mV hysteresis to provide noise immunity to transient conditions.

## $\overline{FLAG}$ Output

The NCP348 provides a  $\overline{FLAG}$  output, which alerts external systems that a fault has occurred.

This pin is tied to low as soon the OVLO threshold is exceeded or when the  $V_{in}$  level is below the UVLO threshold. When  $V_{in}$  level recovers normal condition,  $\overline{FLAG}$  is held high, keeping in mind that an additional 50 ms delay has been added between available output and  $\overline{FLAG}$  = high. The pin is an open drain output, thus a pull up resistor (typically 1 M $\Omega$ , minimum 10 k $\Omega$ ) must be added to  $V_{bat}$ . Minimum  $V_{bat}$  supply must be 2.5 V. The  $\overline{FLAG}$  level will always reflect  $V_{in}$  status, even if the device is turned off ( $\overline{EN}$  = 1).

## $\overline{EN}$ Input

To enable normal operation, the  $\overline{EN}$  pin shall be forced to low or connected to ground. A high level on the pin, disconnects OUT pin from IN pin.  $\overline{EN}$  does not overdrive an OVLO or UVLO fault.

## Internal NMOS FET

The NCP348 includes an internal Low  $R_{DS(on)}$  NMOS FET to protect the systems, connected on OUT pin, from positive overvoltage. Regarding electrical characteristics, the  $R_{DS(on)}$ , during normal operation, will create low losses on  $V_{out}$  pin.

As example:  $R_{load} = 8.0 \Omega$ ,  $V_{in} = 5.0 V$   
 Typical  $R_{DS(on)} = 65 m\Omega$ ,  $I_{out} = 618 mA$

$$V_{out} = 8 \times 0.618 = 4.95 V$$

$$NMOS \text{ losses} = R_{DS(on)} \times I_{out}^2 = 0.065 \times 0.618^2 = 25 mW$$

## ESD Tests

The NCP348 input pin fully supports the IEC61000-4-2. 1.0  $\mu F$  (minimum) must be connected between  $V_{in}$  and GND, close to the device.

That means, in Air condition,  $V_{in}$  has a  $\pm 15 kV$  ESD protected input. In Contact condition,  $V_{in}$  has  $\pm 8.0 kV$  ESD protected input.

Please refer to Figure 19 to see the IEC 61000-4-2 electrostatic discharge waveform.

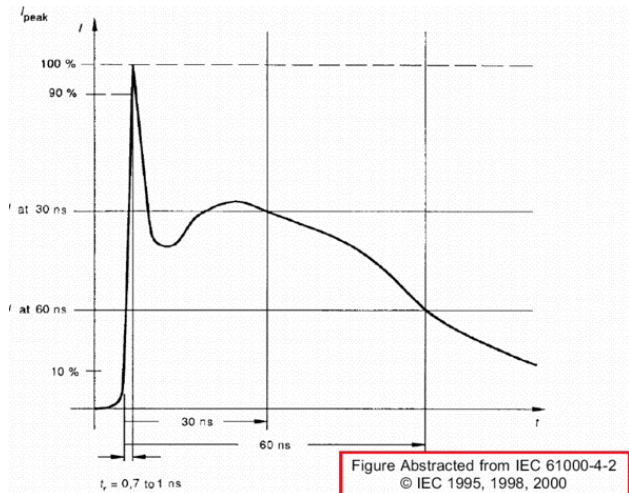


Figure 19. Electrostatic Discharge Waveform

## PCB Recommendations

The NCP348 integrates a 2 amperes rated NMOS FET, and the PCB rules must be respected to properly evacuate the heat out of the silicon. The PAD1 is internally isolated from the active silicon and should preferably be connected to ground. The PAD2 of the NCP348 package is connected to the internal NMOS drain and can be used to increase the heat transfer if necessary from an applications standpoint.

Depending upon the power dissipated in the application, one can either use the PCB tracks connected to Pins 4 and 5 to evacuate heat, or make profit of the PAD2 area to add extra copper surface to reduce the junction temperature (See Figure 20). Of course, in any case, this pad shall be not connected to any other potential. Figure 20 shows copper area according to  $R_{\theta JA}$  and allows the design of the heat transfer plane connected to PAD2.

# NCP348, NCP348AE

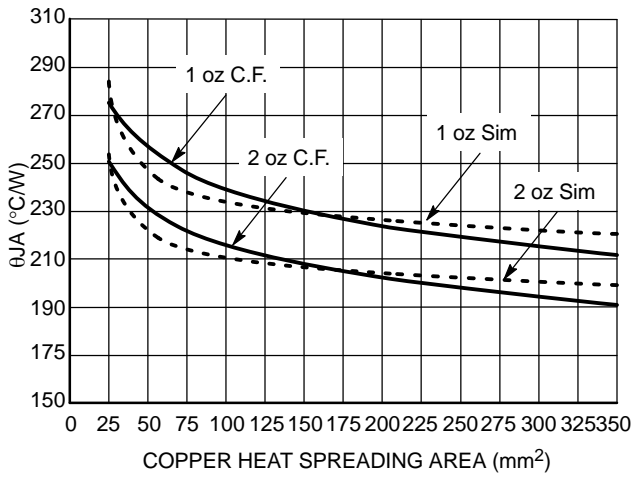


Figure 20.

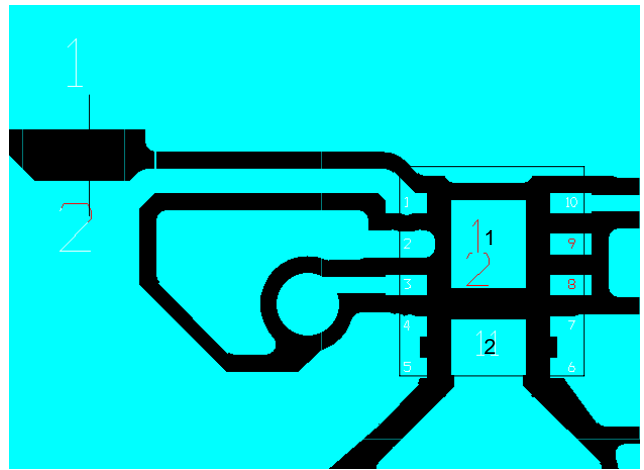


Figure 21. Demo Board Layout

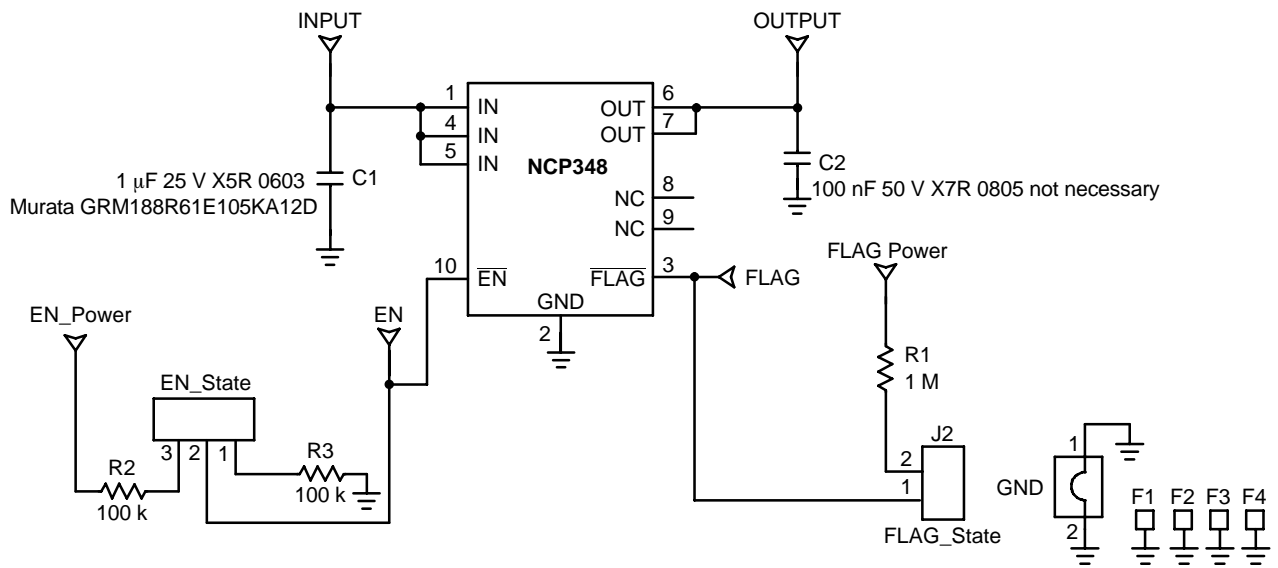


Figure 22. Demo Board Schematic

# NCP348, NCP348AE

## ORDERING INFORMATION

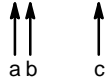
| Device        | Package              | Shipping†           |
|---------------|----------------------|---------------------|
| NCP348MTTBG   | WDFN-10<br>(Pb-Free) | 3000 / Tape & Reel  |
| NCP348MTTXG   | WDFN-10<br>(Pb-Free) | 10000 / Tape & Reel |
| NCP348AEMTTBG | WDFN-10<br>(Pb-Free) | 3000 / Tape & Reel  |
| NCP348AEMTTXG | WDFN-10<br>(Pb-Free) | 10000 / Tape & Reel |

†For information on tape and reel specifications, including part orientation and tape sizes, please refer to our Tape and Reel Packaging Specifications Brochure, BRD8011/D.

## SELECTION GUIDE

The NCP348 can be available in several undervoltage and overvoltage thresholds versions. Part number is designated as follows:

**NCP348xxMTTxG**



| Code | Contents   |
|------|--|
| a    | UVLO Typical Threshold<br>a: - = 3.25 V<br>a: A = 3.25 V |
| b    | OVLO Typical Threshold<br>b: - = 6.4 V<br>b: E = 6.02 V  |
| c    | Tape & Reel Type<br>c: B = 3000<br>c: X = 10000          |

